

**Gardner**  
**Denver**

# Electronic Condensate Drain

Innovative compressed air treatment  
GDE31, GDE32, GDE33 Series



## Electronic Level-Controlled Condensate Drain

This solution is a rugged and cost-effective condensate drain for GD compressor stations.

It can be used for applications in aggressive atmospheres and for the discharge of condensates from special gas compression.

Capacitive level control without mechanical moving parts in conjunction with a specially developed membrane and the angle-seat valve, allow reliable discharge of condensate from pneumatic systems at low operating pressures.



### Characteristics

- Simple installation
- Clear and distinct display of operating parameters by LED indicators
- Self-monitoring thanks to integrated alarm system
- Durability, Non-wearing, capacitive measuring system without moving parts
- Rugged and durable construction
- Potential-free alarm contact
- Test button for checking device functions

**+1:**

FAST  
INSTALLATION  
AND  
MAINTENANCE

**+2:**

SERVICE UNIT -  
PROGRESSIVE,  
SAFE, SIMPLE

**+3:**

DISCHARGE  
ACCORDING  
TO DEMAND  
- SAVES  
ENERGY

**+4:**

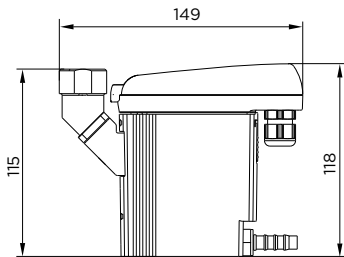
HOUSING  
MADE OF  
ALUMINIUM  
FOR  
DURABILITY

**+5:**

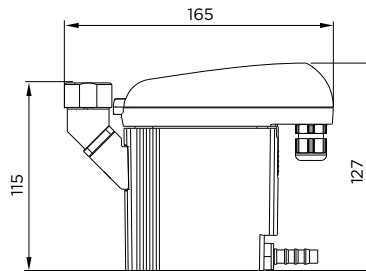
SENSOR-  
CONTROLLED  
- NOTHING  
IS MORE  
RELIABLE

# Technical Data

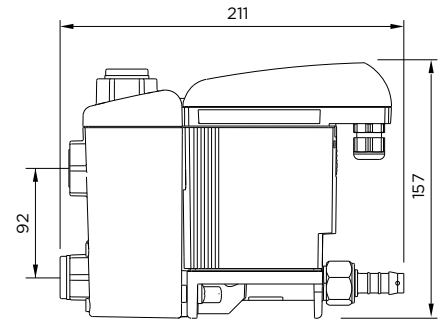
## GDE31 , GDE32, GDE33



GDE31



GDE32



GDE33

	Operating pressure (bar)		Weight (kg)	Application	Employment	Application Inlet	Connections Outlet		max. compressor performance			max. dryer performance			max. filter performance		
	min	max					Hose connection	Hose diameter	(m <sup>3</sup> /min)			(m <sup>3</sup> /min)			(m <sup>3</sup> /min)		
GDE31	0.8	16	0.8	a, b	for all points of discharge	1 x G½	1 x G¼	8-10mm	3	2.5	1.5	6	5	3	30	25	15
GDE32	0.8	16	1.0	a, b	for all points of discharge	1 x G½	1 x G¼	8-10mm	6	5	3.5	12	10	7	60	50	35
GDE33	0.8	16	1.65	a, b	for all points of discharge	3 x G½	1 x G½	13mm	12	10	7	24	20	14	120	100	70

Temperature range +1 to 60°C  
 a: oil-contaminated condensate  
 b: oil-free condensate

For region specific design of the GDE condensate drains please refer to the three climate zones:

- eg. Northern Europe, Canada, Northern USA, Central Asia
- eg. Central and Southern Europe, Central America
- eg. South-East Asian coastal regions, Oceania, Amazon and Congo Region

## GDE31 & GDE32



## GDE33



## Global Expertise

The GD rotary screw compressor range from 2.2 – 500 kW, available in both variable and fixed speed compression technologies, are designed to meet the highest requirements which the modern work environment and machine operators place on them.



The oil-free EnviroAire range from 15 – 160 kW provides high quality and energy efficient compressed air for use in a wide range of applications. The totally oil-free design eliminates the issue of contaminated air, reducing the risk and associated cost of product spoilage and rework.



A modern production system and process demands increasing levels of air quality. Our complete **Air Treatment Range** ensures the highest product quality and efficient operation.



Compressor systems are typically comprised of multiple compressors delivering air to a common header. The combined capacity of these machines is generally greater than the maximum site demand. To ensure the system is operated to the highest levels of efficiency, the **GD Connect** air management system is essential.



[gdcompressors.eu@gardnerdenver.com](mailto:gdcompressors.eu@gardnerdenver.com)  
[www.gardnerdenverproducts.com](http://www.gardnerdenverproducts.com)

For additional information please contact Gardner Denver or your local representative.  
Specifications subject to change without notice.